



Enterprise-Grade WLAN Control for Growing Organizations

UNIVERGE® WL1700-MS Access Point

UNIVERGE® Assured Mobility™ is NEC's newest-generation wireless LAN (WLAN) communications solution, connecting people to people and information—anytime, anywhere, on any device.

The power behind Assured Mobility is the UNIVERGE Wireless Optimized Architecture™ (WOA), bringing a new level of intelligence to your network. WOA forwards management packets to the new UNIVERGE WL Controllers (WL1700-MS, WL5050 and WL5100) while intelligently forwarding media packets directly between Access Points (APs). This unique feature relieves WLAN bottlenecks while enabling high-quality voice communications.

The unique UNIVERGE WL1700-MS Access Point (AP) gives branch locations and growing organizations a low-cost, enterprise-grade WLAN environment. That's because the WL1700-MS AP serves as both an AP and controller, supporting up to three WL1500-APs or WL1600 Outdoor APs.

The WL1700-MS AP is a self-configuring WLAN switch capable of rapid automatic configuration—without requiring a server or IT support on site. You can also configure the WL1700-MS AP via the Web or the UNIVERGE WLMS Management System.

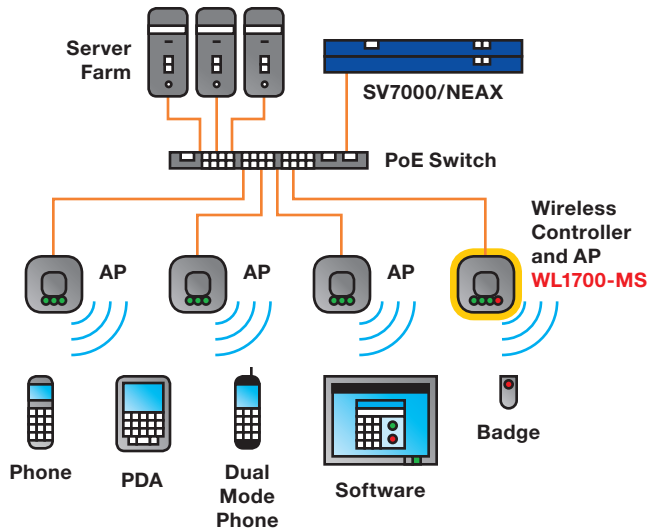
Compact and low cost, the WL1700-MS AP supports the same feature set as the UNIVERGE WL5050 and WL5100 Controllers, including secure mobility, policy enforcement and AAA and 802.1X offload features.

The WL1700-MS AP delivers a variety of wireless services, including:

- Seamless roaming between subnets
- Secure mobility
- Backup server in case of WLAN failure
- Roaming across router boundaries
- Detailed session statistics on a per-user basis



WL1700-MS Access Point



Key Features

- Managed Dual Radio. Built-in capabilities.
- Intelligent Controller Features. Can act both as AP and controller in one.
- Easy Configuration. Built-in wireless control/management capabilities in the AP.
- Time-sensitive Traffic Prioritization. Recognizes real-time packets and always gives voice traffic priority over data.
- Optimized Security. Has rogue, intrusion and denial-of-service detection on board.
- Automatic RF Tuning. Ensures the frequency is always accurate.

Specifications

UNIVERGE WL1700-MS Access Point

Wireless Frequency Band	2.4GHz/5GHz ISM Band
Physical/MAC Layer	IEEE 802.11a/b/g Dual Band/Tri Mode Supported
Modulation	5GHz: OFDM, 2.4GHz: OFDM, DSSS
Antenna	Internal: Diversity, External Connector: R-SMA
AP Management Protocol	Control Plane: IETF CAPWAP WG Taxonomy and Architecture compatibility, Data Plane: IPinIP
Features	Auto Configuration, RF Monitoring, Wireless Bandwidth Management, Dynamic Power Save Buffering, Virtual AP, Security (Crypto, Key-cache), Fail-over for Access Point
Controllable MAX AP	4 (including the WL1700-MS Access Point)
L2 Security	IEEE 802.1X (EAP-TLS/TTLS/PEAP[MS-CHAPv2]/MD5) MAC Filtering, WEP (64/128bits), WPA (TKIP), WPA2 (AES/TKIP) ¹
L3 Security	Web Authentication
Other Security	Access Control List (ACL), Rogue AP Detection/Containment, Wireless IDS, Blacklisting
QoS	WMM, IEEE802.1p/DSCP Voice Packet Prioritization, ² CAC (Bandwidth Control) ²
Other Features	Load Balancing, Inter-subnet Handoff, Fast Handoff ²
Power Supply	802.3af PoE Compliant
Environmental	Operating Temperature: 32 to 104°F (0 to 40°C) Operating Humidity: 10-90%, Non-Condensing

¹ Supports both "Enterprise Mode" using IEEE 802.1X and "Personal Mode" using Pre-Shared Key.

² Supported only with NEC's handsets and voice terminals.

Empowered by Innovation



For more information, visit necunified.com/wlan.

About NEC Unified Solutions, Inc. NEC Unified Solutions Inc., a global leader in VoIP and data communications for the enterprise and small-medium business, delivers the industry's most innovative suite of products, applications and services that help customers achieve business value through technology. NEC Unified Solutions, a wholly owned subsidiary of NEC Corporation of America, offers a complete portfolio of solutions for wireless, unified communications, voice, data and management services, and an open migration path to protect investments. NEC Unified Solutions, Inc. serves Fortune 1000 customers across the globe in vertical markets such as hospitality, education, government and healthcare.

188443 | v.4.15.07

© 2007 NEC Corporation. All rights reserved. NEC, NEC logo, UNIVERGE and Wireless Optimized architecture (WOA) are trademarks or registered trademarks of NEC Corporation that may be registered in Japan and other jurisdictions. All trademarks identified with ® or ™ are registered trademarks or trademarks respectively. Models may vary for each country. Please refer to your local NEC representatives for further details.